



KISUMU EAST CONSTITUENCY
NATIONAL GOVERNMENT CONSTITUENCY DEVELOPMENT FUND
P. O BOX 3618-40100 KISUMU

REQUEST FOR QUOTATION

CONTRACT NAME: PROPOSED CONSTRUCTION OF 4 DOOR PIT LATRINE WITH ONE DOOR FOR PLWD AT BUNGU PRIMARY SCHOOL

RFQ NUMBER: KSMEAST/NGCDF/BUNGU-CS/2025-2026/19

PROCURING ENTITY: KISUMU EAST NGCDF

POSTAL ADDRESS 3618-40100 KISUMU

EMAIL ADDRESS kisumueastngcdf@gmail.com

REQUEST FOR QUOTATIONS (RFQ)

To: _____ [Insert Name and Address of selected Tenderer] from:
KISUMU EAST NGCDF, P.O OX 3618- 40100 KISUMU (Insert the name and address of the Procuring Entity)
(Insert the title of the quotation) **PROPOSED CONSTRUCTION OF 4 DOOR PIT LATRINE WITH ONE DOOR FOR PLWD AT BUNGU PRIMARY SCHOOL** [Insert Quotation Reference Number]
KSMEAST/NGCDF/BUNGU-CS/2025-2026/19

1. The **KISUMU EAST NGCDF** _____ [insert name of Procuring Entity] invites you to submit quotations for **WORKS** (insert one of the following: supply of goods, works, provision of services) indicated in detail in "Table A. Schedule of Requirements and Specifications". The quotation shall follow the instructions and documents in this RFQ document and shall be in English Language. Tenderers may obtain further information during office hours 0900-1600HOURS _____ [insert office hours if applicable] i.e. 0900 to 1600 hours] at the address given below.
2. Quotations shall be submitted in accordance with the instruction in Part 1: Quotation Procedures and in a sealed envelope clearly indicating name and address of tenderer, the quotation name and title and must reach the Procuring Entity at the address indicated below not later than [indicate date and time]. Quotations can be delivered by registered mail, courier or hand delivery at the tenderer's option. Late quotations shall be rejected.
3. Enquiries regarding this quotation may be addressed to **FUND ACCOUNT MANAGER, P. O BOX 3618 KISUMU** [indicate title and complete address of official in charge].
4. Any resulting contract shall be subject to the terms and conditions detailed in Part 3: Contract.
5. Please inform by email or express mail the undersigned within **3 DAYS** (Specify the number of days) of receipt of this RFQ if you will not be submitting a quotation.

Address for Submission of Quotations.

- 1) Name of Procuring Entity **KISUMU EAST NGCDF**
- 2) Mailing Address: **FUND ACCOUNT MANAGER, P. O BOX 3618-40100 KISUMU** (Postal Address (include name of Officer to be attentional)).
- 3) Physical address: **KISUMU EAST NGCDF OFFICE LOCATED ALONG KONDELE –KIBOS ROAD OPPOSITE KUNYA PRIMARY SCHOOL IN KISUMU CITY,** (for hand and Courier Delivery to an office or Quotation Box, specify City, Street Name, Building, Floor Number and Room)

Yours sincerely,

Signed

Fund Account Manager

[Signature, Designation and Position of Authorized Official]

PART 1: INSTRUCTIONS TO TENDERERS

1. **Tenderers are advised to read carefully** these instructions and the Conditions of Contract in Part 3: Contract, before preparing the quotation. The standard forms in this RFQ may be photocopied for completion but the Tenderer is responsible for their accurate reproduction. The term Tenderer shall mean the firm or person invited to submit a quotation. The term Quotation herein shall mean the quotation submitted as usually understood in public procurement.
2. **Validity of Quotations:** The quotation will be held valid for 150 days from the date of submission.
3. **The Quotation shall consist of** completed Tables A, B and C and the Form of Quotation all indicated in Part 2 of this Request for Quotations, and documents to evidence Eligibility and Conformity to Technical Specifications.
4. **Sealing and Marking of Quotations:** Quotations in one “one original” should be sealed in a single envelope, clearly marked with the **Quotation Reference Number** in the RFQ, the Tenderer's name and the name of the Procuring Entity. Envelopes should be sealed in such a manner that opening and resealing cannot be achieved undetected.
5. **Submission of Quotations:** Quotations, and any alternatives if allowed as per Item 11 below, should be submitted to the address below, on or before the date and time indicated in sub-item 4 below. Late quotations will be rejected.

Address for Submission of Quotations.

- 1) Name of Procuring Entity **KISUMU EAST NGCDF**
- 2) Mailing Address: Postal Address (include name of Officer to be attentional)
FUND ACCOUNT MANAGER, P.O BOX 3618-40100 KISUMU
- 3) Physical address for hand or Courier Delivery to an office or Quotation Box (City, Street Name, Building, Floor Number and Room)
KISUMU, ALONG KONELE TO CHIGA RD, KISUMU EAST NGCDF BUILDING GROUND FLOOR
- 4) Date of Submission (deadline): 02/07/2026 (day, month and year).
Time of Submission (deadline): 1000HRS (Kenya time).
6. **Opening of Quotations:** Quotations will be opened immediately after the closing date and time specified in item 5 (4) above, by at least three appointed officials of the Procuring Entity.
7. **Tenderer Eligibility:** Tenderer must submit Documentary evidence to show His/her eligibility to be awarded a contract to cover each of the following: (i) valid trading license (ii) certificate of registration, and (iii) valid tax compliance certificate. (iv) AGPO Certificate (where applicable). The Tenderer shall also complete attached forms to confirm eligibility and non-existence of a conflict of interest in relation to this procurement requirement by signing the attached Forms.
8. **Invitation not transferable:** This invitation is not transferable to other firms or individuals not so invited.
9. **Goods Eligibility:** Tenderer must submit as evidence documents to show the country of origin of any goods to be supplied or incorporated in the work or services
10. **Technical Specifications:** Documentary evidence to show that the goods meet the technical specifications.

11. **Alternative Quotations:** Tenderers **are permitted/not permitted** (*select one*) to submit alternative quotations for goods/alternative technical solutions for specified parts of the Works or Services (*select one*). Only the alternatives, if any, of the Tenderer with the winning quotation conforming to the basic technical requirements shall be considered by the Procuring Entity.
12. **Currency:** Quotations shall be priced in Kenya Shillings. Quotations in other currencies will be rejected if not allowed.

The Procuring Entity shall allow/not allow quotations in foreign currency (*procuring Entity to select one*).

13. **Evaluation of Quotations:** The evaluation of quotations will be conducted using the procedure set out below:
 - i) Preliminary examination to determine Tenderer eligibility: (i) valid trading license (ii) certificate of registration, and (iii) tax compliance certificate (iv) valid AGPO Certificate (where applicable)
 - ii) Technical examination to determine goods eligibility, compliance with technical specifications and commercial responsiveness. Quotations failing this stage will be rejected and not considered in next stage.
 - iii) Financial comparison of quotations to determine the lowest evaluated quotation. In case foreign currency is allowed, for comparison purposes only, foreign currency quotations will be converted to Kenya shillings using the exchange rates published by the Central Bank of Kenya on the day of submission of quotations.
14. **Lowest Evaluated Quotation:** The lowest evaluated quotation shall be recommended for award of contract.
15. **Award of contract:** Award of contract shall be by placement of a Letter of Acceptance or Local Purchase Order in accordance with Part 3: Contract. The currency of award and payment shall be currency in which the quotation was submitted. Unsuccessful tenderers who responded will be notified of the accepted quotation, indicating the name and the amount of the accepted quotation
16. **Right to Reject:** The Procuring Entity reserves the right to accept or reject any quotation or to cancel the quotation process and reject all quotations at any time prior to contract award.

QUOTATION AND QUALIFICATION DOCUMENTS

Instructions to Tenderer. Tenderer must complete and submit as part of the Form of quotation.

- (i) SCHEDULE OF REQUIREMENTS TABLE
- (ii) FORM FOR DISCLOSURE OF INTEREST
- (iii) CERTIFICATE OF INDEPENDENT QUOTATION DETERMINATION
- (iv) SELF-DECLARATION FORM
- (v) FOREIGN TENDERER 40% RULE (*where provided*)

FORM OF QUOTATION [To be completed by Tenderer]

Quotation Addressed to (<i>Procuring Entity</i>)	
Date of Quotation	
Quotation Reference Number:	
Subject of Quotation	

1. We have examined and have no reservations to the Request for Quotation document, and understand its full content and intent.
2. In compliance with your request for quotations dated _____, referenced above, we offer to _____ (*specify one of supply goods, complete the works or provide the services*) to cover and conform to our pricing listed in the attached in Table B. Quotation Submission TABLE at a total price of Kenya Shillings _____
_____ (in words) _____
OR in Foreign Currency (*if allowed*), Currency _____ amount _____ (in words) _____
3. We confirm that we are eligible to participate in public procurement and meet the eligibility criteria specified in Part 1: INSTRUCTIONS TO TENDERERS.
4. We also confirm that the _____ (*goods to be supplied/works to be constructed/services to be provided (select one)*) conform to the **SCHEDULE OF REQUIREMENTS TABLE** below and in conformity with technical specifications listed in PART 2: SCHEDULE OF REQUIREMENTS of this RFQ Document.
5. We undertake to adhere by the Code of Ethical Conduct for Suppliers, Contractors and Service Providers, copy available from _____ (*specify website*) during the procurement process and the execution of any resulting contract.
6. We confirm that the prices quoted are fixed and firm for the duration of the validity period and performance of the contract and will not be subject to revision or variation.
7. The validity period of our quotation is: _____ days from the time and date of the submission deadline (*number to be same as in the instructions to Tenderers*).
8. We confirm we are not submitting any other Quotation as an individual or firm, and we are not participating in any other Quotation as a Joint Venture member or as a subcontractor.

9. We, along with any of our subcontractors, suppliers, Engineer, manufacturers, or service providers for any part of the contract, are not subject to, and not controlled by any entity or individual that is subject to a temporary suspension or a debarment imposed by the Public Procurement Regulatory Authority or any other entity of the Government of Kenya, or any international organization.
10. We hereby certify that we have taken steps to ensure that no person acting for us or on our behalf engages in any type of Fraud and Corruption.
11. We hereby certify and confirm that the Quotation is genuine, non-collusive and made with the intention of accepting the contract if awarded. To this effect we have signed the “Certificate of Independent Quotation Determination” attached below.
12. We, the Tenderer, have completed fully and signed the **FORM FOR DISCLOSURE OF INTEREST-** interest of the firm in the Procuring Entity, attached below.

The Delivery/Completion period offered is: _____ days from date of acceptance of Quotation. The warranty period offered is _____ weeks.

Quotation Authorized by:

Name and designation _____

Signature: _____

i) SCHEDULE OF REQUIREMENTS TABLE

(Procuring Entity will complete the list of items to be same as those on Part 2 Table A. Schedule of Requirements and Technical Specifications and tenderer should complete columns D and E).

A Item	B Description Goods/works/services <i>(Procuring Entity to select one)</i>	C Quantity	D Unit price	E Total Price in Ksh
1	PROPOSED CONSTRUCTION OF 4 DOOR PIT LATRINE WITH ONE DOOR FOR PLWD AT BUNGU PRIMARY SCHOOL	1		
2				
3				
4				
5				
ETC.				
TOTAL PRICE IN KeS.				

Signature: _____

And seal/Stamp

Name: _____

Position:

Authorised for and on behalf of (*specify name of tenderer*)

Date _____

ii) **FORM FOR DISCLOSURE OF INTEREST** - Interest of the Firm in the Procuring Entity.

i) Are there any person/persons in (Name of Procuring Entity) who has/have an interest or relationship in this firm? Yes/No.....

If yes, provide details as follows.

	Names of Person	Designation in the Procuring Entity	Interest or Relationship with Tenderer
1			
2			
3			

ii) **Conflict of interest disclosure**

	Type of Conflict	Disclosure YES OR NO	If YES provide details of the relationship with Tenderer
1	Tenderer is directly or indirectly controls, is controlled by or is under common control with another tenderer.		
2	Tenderer receives or has received any direct or indirect subsidy from another tenderer.		
3	Tenderer has the same legal representative as another tenderer		
4	Quotation has a relationship with another tenderer, directly or through common third parties, that puts it in a position to influence the quotation of another tenderer, or influence the decisions of the Procuring Entity regarding this quotation process.		
5	Any of the Tenderer's affiliates participated as a consultant in the preparation of the design or technical specifications of the works that are the subject of the quotation.		
6	Tenderer would be providing goods, works, non-consulting services or consulting services during implementation of the contract specified in this Quotation Document.		
7	Tenderer has a close business or family relationship with a professional staff of the Procuring Entity who are directly or indirectly involved in the preparation of the Quotation document or specifications of the Contract, and/or the Quotation evaluation process of such contract.		
8	Tenderer has a close business or family relationship with a professional staff of the Procuring Entity who would be involved in the implementation or supervision of the Contract.		
9	Has the conflict stemming from such relationship stated in item 7 and 8 above been resolved in a manner acceptable to the Procuring Entity throughout the quotation process and execution of the Contract?		

iii) Certification

On behalf of the Tenderer, I certify that the information given above is complete, current and accurate as at the date of submission.

Full Name _____

Title or Designation _____

(Signature)

_____)_____
(Date)

iv) CERTIFICATE OF INDEPENDENT QUOTATION DETERMINATION

I, the undersigned, in submitting the accompanying Letter of quotation to the _____
_____ [Name of Procuring Entity] for: _____
_____ [Name and number of quotation] in response to the request for tenders
made by: _____ [Name of Tenderer] do hereby make the following
statements that I certify to be true and complete in every respect:

I certify, on behalf of _____ [Name of Tenderer] that:

1. I have read and I understand the contents of this Certificate;
2. I understand that the Tenderer will be disqualified if this Certificate is found not to be true and complete in every respect;
3. I am the authorized representative of the Tenderer with authority to sign this Certificate, and to submit the quotation on behalf of the Tenderer;
4. For the purposes of this Certificate and the quotation, I understand that the word “competitor” shall include any individual or organization, other than the Tenderer, whether or not affiliated with the Tenderer, who:
 - a) has been requested to submit a quotation in response to this request for quotations;
 - b) could potentially submit a quotation in response to this request for quotations based on their qualifications, abilities or experience;
5. The Tenderer discloses that [check one of the following, as applicable]:
 - a) The Tenderer has arrived at the quotation independently from, and without consultation, communication, agreement or arrangement with, any competitor;
 - b) the Tenderer has entered into consultations, communications, agreements or arrangements with one or more competitors regarding this request for quotations, and the Tenderer discloses, in the attached document(s), complete details thereof, including the names of the competitors and the nature of, and reasons for, such consultations, communications, agreements or arrangements;
6. In particular, without limiting the generality of paragraphs (5)(a) or (5)(b) above, there has been no consultation, communication, agreement or arrangement with any competitor regarding:
 - a) prices;
 - b) methods, factors or formulas used to calculate prices;
 - c) the intention or decision to submit, or not to submit, a quotation; or
 - d) the submission of a quotation which does not meet the specifications of the request for quotations; except as specifically disclosed pursuant to paragraph (5) (b) above;
7. In addition, there has been no consultation, communication, agreement or arrangement with any competitor regarding the quality, quantity, specifications or delivery particulars of the works or services to which this request for tenders relates, except as specifically authorized by the procuring authority or as specifically disclosed pursuant to paragraph (5)(b) above;
8. the terms of the quotation have not been, and will not be, knowingly disclosed by the Tenderer, directly or indirectly, to any competitor, prior to the date and time of the official quotation opening, or of the awarding of the Contract, whichever comes first, unless otherwise required by law or as specifically disclosed pursuant to paragraph (5)(b) above.

Name _____

Title _____

Date _____

[Name, title and signature of authorized agent of Tenderer and Date]

v) SELF-DECLARATION FORM

We, the Tenderer _____ (*insert name*) submitting our Quotation in respect of Quotation No _____ for _____ (*insert quotation Title Description*) for _____ (*insert Name of Procuring Entity*)

DECLARE AS FOLLOWS:

That, We the Tenderer including any entity or individual that directly or indirectly controls, is controlled by or is under common control with us, and any subcontractors, suppliers, project managers, consultants, manufacturers, service providers, agents, individuals, or any other party involved or to be involved for any part of the processes of procurement and contract execution related to the above quotation:

- a) have not engaged/will not engage in any corrupt or fraudulent practices in the processes of procurement and contract execution related to the above quotation as defined and/or described in the following:
 - i) the RFQ for the above Quotation;
 - ii) Kenya's Public Procurement and Asset Disposal Act, 2015) and its attendant Regulations;
 - iii) Kenya's Anti-Corruption and Economic Crimes Act, 2013; and
 - iv) any such other Acts or Regulations of Government of Kenya;
- b) have not offered/will not offer any inducement to any member of the board, management, staff and/or employees and/or agents of (*name of the procuring entity*);
- c) have not engaged/will not engage in any collusive or corrosive practice with other tenderers participating in the subject quotation;
- d) have not been sanctioned or debarred by any entity from participation in public procurement proceedings of Kenya.

That, what is deponed to herein above is true to the best of our knowledge, information and belief.

Name of the Tenderer: [*Insert complete name of tenderer signing the quotation*]

Name of the person duly authorized to sign the quotation on behalf of the Tenderer: [*Insert complete name of person duly authorized to sign the quotation*]

Title of the person signing the Quotation: [*Insert complete title of the person signing the quotation*]

Signature of the person named above: [*Insert signature of person whose name and capacity are shown above*]

PART 2: SCHEDULE OF REQUIREMENTS

TABLE A. SCHEDULE OF REQUIREMENTS, TECHNICAL SPECIFICATIONS

Table A. SCHEDULE OF REQUIREMENTS AND TECHNICAL SPECIFICATIONS

[Procuring Entity to complete Columns a-d and Tenderer to complete Column Indicating YES or No and if NO indicate the specification of the offered item]

Item No	Description of Goods/works/services <i>(Procuring Entity to select one)</i> <i>For Works attach drawings</i>	Quantity	TECHNICAL SPECIFICATIONS (completed by <i>Procuring Entity</i>)	CONFORMITY WITH TECHNICAL SPECIFICATIONS <i>(to be completed by Tenderer)</i>
1	B	C	D	E
2	PROPOSED CONSTRUCTION OF 4 DOOR PIT LATRINE WITH ONE DOOR FOR PLWD AT BUNGU PRIMARY SCHOOL	1		
3				
4				

ATTACHMENTS *(to be listed below and supplied by Procuring Entity)*

As per tender notice

TECHNICAL SPECIFICATIONS FOR WORKS/SERVICES

(a) A preliminary description of the proposed works/services and work method and schedule, including drawings and charts, as necessary, containing all required information by which the proposed works may be evaluated (e.g. technical characteristics, operational capacities, maintenance, environmental effect, etc.) together with manuals or instructions for use or any other relevant information and documentation, delivery/installation schedules, etc.;

(b) A detailed statement of how the tenderer will carry out the works/services that will form an integral part of the Contract.

(c) DRAWINGS

(Procuring Entity to attach Drawings (if any))

TABLE B. SCHEDULE OF REQUIREMENTS TABLE

(Procuring Entity will complete the list of items to be same as those on Table A. Schedule of Requirements and Technical Specifications and tenderer should complete columns c-e)

Item	Description Goods/works/services <i>(Procuring Entity to select one)</i>	Quantity	Unit price	Total Price
1	B	C	D	E
2				
3				
4				
5				
6				
7				
8				
9				
		TOTAL PRICE		

Signature:
And seal/Stamp
Name:

Position:

Authorised for and on behalf of *(specify name of tenderer)* _____

Date _____

PART 3: CONTRACT

CONTRACT AGREEMENT

(1) THIS CONTRACT AGREEMENT is made _____ (*specify date*).

Between _____
[Insert complete name of Procuring Entity], and having its principal place of
Business at

[Insert address of Procuring Entity] and

[Insert name of Supplier, or contractor or service provider], and having its principal place of
business at _____
[Insert address of Supplier, contractor or service provider].

(2) WHEREAS the Procuring Entity invited quotations for the Supply of
Goods/works/services (*select one*) described in Table B, i.e.
_____ *[insert*
rt brief description of Goods, works and Services] and has accepted a Quotation by the
Tenderer in the sum of
_____ *[insert Contract Price*
in words and figures] (hereinafter called “the Contract Price”).

(3) NOW THIS AGREEMENT WITNESSED AS FOLLOWS:

1. This Contract Agreement includes the following documents:

- (a) Table A. SCHEDULE OF REQUIREMENTS AND TECHNICAL SPECIFICATIONS
- (b) Table B. QUOTATIONSUBMISSION TABLE
- (c) FORM OF QUOTATION
- (d) Conditions of Contract

2. In consideration of the payments to be made by the Procuring Entity to the
Supplier/contractor/service provider as hereinafter mentioned, the *Supplier/contractor/service*
provider hereby covenants with the Procuring Entity to provide the Goods/works/services and
to remedy defects therein in conformity in all respects with the provisions of the Contract.

3. The Procuring Entity hereby covenants to pay the Supplier/Contractor/service provider

(select one) in consideration of the provision of the Goods/works/services *(select one)* and the remedying of defects therein, the Contract Price or such other sum as may become payable under the provisions of the Contract at the times and in the manner prescribed by the Contract.

(4) In WITNESS whereof the parties hereto have caused this Agreement to be executed in accordance with the laws of Kenya.

For and on behalf of the Procuring Entity

Signed: *[insert signature]*
in the capacity of *[insert title or other appropriate designation]*

in the presence of *[insert identification of official witness]*

For and on behalf of the Supplier/Contractor/Service Provider *(select one)*

Signed: *[insert signature of authorized representative(s) of the Supplier]*
in the capacity of *[insert title or other appropriate designation]*
in the presence of *[insert identification of official witness]*

CONDITIONS OF CONTRACT

1. Language

The Contract as well as all correspondence and documents relating to the Contract exchanged by the Supplier/Contractor/Service Provider (*select one*) Provider and the Procuring Entity, shall be written in the English Language.

2. Eligibility

The goods shall have the nationality of an eligible country. All Goods and Related Services to be supplied under the Contract shall have their origin in Eligible Countries.

3. Notices

Any notice given by one party to the other pursuant to the Contract shall be in writing.

4. Governing Law

The Contract shall be governed by and interpreted in accordance with the Laws of Kenya, unless otherwise specified hereunder.

5. Settlement of Disputes

The Procuring Entity and the Supplier/Contractor/Service (*select one*) shall make every effort to resolve amicably by direct informal negotiation any disagreement or dispute arising between them under or in connection with the Contract. If the parties have failed to resolve their dispute or difference by such mutual consultation, either the Procuring Entity or the Supplier/Contractor/Service (*select one*) may give notice to the other party of its intention to commence arbitration. The dispute shall be referred to adjudication or arbitration in accordance with the laws of Kenya.

6. Supplier/Contractor/Service Provider Responsibilities

The Supplier/Contractor/Service Provider (*select one*) shall supply all the Goods included in the Schedule of Requirements.

7. Contract Price

Prices charged by the Supplier/Contractor/Service Provider (*select one*) under the Contract shall not vary from the prices quoted by the Supplier/Contractor/Service Provider (*select one*) in its quotation.

8. Terms of Payment

The Contract Price shall be paid One hundred (100) percent of the Contract Price as follows (*select one*):

- (i) For Goods, price of goods received upon submission of a claim/invoice supported by the acceptance certificate issued by the Procuring Entity.
- (ii) For Works, upon valuation by the Contractor of the portion of the

works completed, such valuation to be accepted by the Procuring Entity, payments up to final completion certificate.

- (iii) For Services, upon valuation by the Service Provider of the services completed, such valuation to be accepted by the Procuring Entity, payments up to final completion certificate

9. Inspections and Tests

The Supplier/Contractor/Service Provider (*select one*) shall at its own expense and at no cost to the Procuring Entity carry out all such tests and/or inspections of the Goods, works or Services to confirm their conformity to technical specifications.

10. Warranty

15

The Supplier warrants that all the Goods are new, unused, and of the most recent or current models, and that they incorporate all recent improvements in design and materials, unless provided otherwise in the contract.

PROPOSED CONSTRUCTION OF FOUR (4) DOOR PUBLIC

ITEM	DESCRIPTION	UNIT	QTY	RATE (KShs.)	AMOUNT (KShs.)
	ELEMENT 02- SUB-STRUCTURE AND RAMPS				
	SITE CLEARING				
A	Clear the site of all grasses and shrub and cart away the arising and burn	SM	55		
B	Cut small trees and grab up roots, chop into manageable portions and dispose of as directed (girth not exceeding 400mm diameter	NO	5		
C	Cut big trees and grab up roots, chop into manageable portions and dispose of as directed (girth exceeding 400mm diameter)	NO	4		
	<u>STRIPPING</u>				
D	Excavate oversite to remove vegetable soil 150mm thick, load, wheel and cart away to temporary spoils approximately 50m away.	SM	55		
E	Excavate oversite to reduce levels average 200mm thick, load, wheel and cart away and level on site as directed.	SM	6		
	<u>TRENCH EXCAVATION</u>				
F	Excavate foundation trenches depth not exceeding 1500mm from reduced levels	CM	33		
G	Return, fill in and ram excavated materials.	CM	19		
H	Load, wheel away and level as directed	CM	14		
I	Excavate the pit latrine as shown on the structural drawing	CM	94		

PROPOSED CONSTRUCTION OF FOUR (4) DOOR PUBLIC

TOTAL CARRIED TO COLLECTION					
ITEM	DESCRIPTION	UNIT	QTY	RATE (KShs.)	AMOUNT (KShs.)
	<u>CONCRETE AND SUB-WALL</u>				
	Provide, place and compact the following classes of concrete wall as specified.				
A	50mm thick concrete 1:4:8 mix blinding in trenches	SM	24		
B	Vibrated reinforced concrete 1:2:4 mix in trenches, ground beams and ramps	CM	8		
C	100mm thick ground slab in concrete 1:2:4 mix	SM	32		
D	200mm thick natural quarry stones sub-walling in mortar 1:4 mix	SM	60		
	<u>FORM WORK</u>				
	Provide all necessary materials, erect and afterwards dismantle the following grades of formwork:				
E	Sawn formwork to edges 150-225mm	LM	36		
F	Ditto to edges 75-150mm	LM	4		
	<u>REINFORCEMENTS</u>				
	Provide, fix into position as shown in the drawings the following bars:				
G	D12mm diameter deformed reinforcement bars	KG	98		
H	D10mm ditto	KG	224		
I	D8mm ditto	KG	145		

PROPOSED CONSTRUCTION OF FOUR (4) DOOR PUBLIC

TOTAL CARRIED TO COLLECTION					
ITEM	DESCRIPTION	UNIT	QTY	RATE (KShs.)	AMOUNT (KShs.)
	<u>SLAB</u>				
	Provide all the materials and construct the following:				
A	300mm thick hardcore fill and hand compacted in 150mm layers	SM	37		
B	50mm thick sand blinding to the surface of hardcore.	SM	37		
C	Treat the surfaces of blinding hardcore with Termidor insecticide as per the manufacturer's printed instruction or other equal and approved	SM	37		
D	200mm wide bituminous felt damp proof course	LM	41		
TOTAL CARRIED TO COLLECTION					
	COLLECTION				
	TOTAL FROM PAGE 6/2				
	TOTAL FROM PAGE 7/2				
	TOTAL FROM ABOVE				
	TOTAL ELEMENT 02- SUB STRUCTURES CARRIED TO SUMMARY				

PROPOSED CONSTRUCTION OF FOUR (4) DOOR PUBLIC

ITEM	DESCRIPTION	UNIT	QTY	RATE (KShs.)	AMOUNT (KShs.)
	<u>ELEMENT 03- SUPERSTRUCTURES</u>				
	<u>EXTERNAL WALLING & INTERNAL WALLS</u>				
	Provide all necessary materials and construct the following:				
A	200mm machine cut stones for external and internal walling in mortar 1:4 cement sand mix	SM	68		
B	Raking cutting to 200mm thick abd walling.	LM	18		
C	200mm machine cut stone walling to gables and eaves in mortar 1:4 mix	SM	7		
	<u>RING BEAM</u>				
	Provide all necessary materials, erect and afterwards dismantle the following formwork:				
D	Sawn formwork to sides and soffits of ring beam	SM	38		
	Provide fix in positions as shown on the drawings the following bars:				
E	D12mm diameter high tensile reinforcement bars.	KG	132		
F	D8mm ditto	KG	43		
	Provide, place and compact the following classes of concrete wall as specified				
G	Vibrated reinforced concrete 1:2:4 mix in ring beam	CM	3		
	TOTAL ELEMENT 03- CARRIED TO SUMMARY				

PROPOSED CONSTRUCTION OF FOUR (4) DOOR PUBLIC

ITEM	DESCRIPTION	UNIT	QTY	RATE (KShs.)	AMOUNT (KShs.)
<u>ELEMENT 04- ROOFINGS</u>					
Provide all necessary materials and construct the following (All timber to be well seasoned podo-carpers, treated with approved wood presevetive) The following 8 number trussed spinning approximately 3 meters including hoisting approximatly 2.5 meters from ground level and maintaining positioning until fixing					
A	100x50mm rafters	LM	32		
B	Ditto struts and ties	LM	60		
C	150 x50mm wall plate	LM	24		
D	75 x 50mm purlins	LM	57		
<u>FASCIA BOARDS</u>					
E	Supply and fix 200x25mm wrot cypress fascia boards	LM	26		
<u>ROOF COVERING</u>					
F	Supply and fix Gauge 30 galvanized iron sheeting with at least 5years colour guarantee	SM	38		
G	Ditto ridge capping.	LM	0		
TOTAL ELEMENT 04 CARRIED TO SUMMARY					

PROPOSED CONSTRUCTION OF FOUR (4) DOOR PUBLIC

ITEM	DESCRIPTION	UNIT	QTY	RATE (KShs.)	AMOUNT (KShs.)
	ELEMENT 05- OPENINGS				
	DOORS				
A	Supply and fix 100 x 50mm rebated door frame (All in wrot cedar)	LM	26		
B	Ditto 25 x 12 mm moulded wrot cedar	LM	26		
C	Ditto 25x12mm moulded wrot cedar quadrants to approval	LM	26		
D	Supply and fix 50mm thick framed ledged and braced wrot cedar size 900x2100mm comprising Supply and fix 50mm thick framed ledged and braced wrot cedar size rail, 25x100mm middle rail and 25mm thick T&G jointed match-boards finished with V- joints.900x2100mm comprising 50x100mm stiles, top and bottom 50x100mm stiles, top and bottom	NO	5		
E	Supply and fix standard frame fixing cramps to approval	NO	5		
F	Ditto 100mm pressed steel butt hinges	PRS	8		
G	150mm barrel bolts	NO	5		
	WINDOWS				
	One following in standard steel sections casement including cutting, pinning plugs approved 10mm round bar burglar proofing and factory priming with 2 coats of red oxide primer				
H	Supply and fix 400x600mm side hung casement in one openable lights	NO	5		
	TOTAL CARRIED TO COLLECTION				

PROPOSED CONSTRUCTION OF FOUR (4) DOOR PUBLIC

ITEM	DESCRIPTION	UNIT	QTY	RATE (KShs.)	AMOUNT (KShs.)
A	Supply and fix 300x600mm top hung casement in two openable and one fixed light STAYS AND FASTENERS	NO	0		
B	Supply and fix standard approved brass coated stays	NO	5		
C	Ditto fasteners GLAZING	NO	5		
D	Supply and fix 4mm thick clear sheet glass and glazing to metal with putty (0.0-0.1sm)	SM	2		
E	Ditto 5mm thick obscure sheet glass. WINDOW CILLS	SM	1		
F	Supply all necessary materials and construct 125x50mm thick concrete 1:2:4 mix window cill cast in-situ once throated and weathered on top including screed 1:3 steel trowelled smooth with c/s paste. JAMB	LM	4		
G	Make good 150mm wide jambs of window and doors with mortar 1:3 c/s mix including forming all necessary moulds	LM	14		
TOTAL CARRIED TO COLLECTION					
COLLECTION					
TOTAL FROM PAGE 11/2					
TOTAL FROM ABOVE					
TOTAL ELEMENT 05 CARRIED TO SUMMARY					

PROPOSED CONSTRUCTION OF FOUR (4) DOOR PUBLIC

ITEM	DESCRIPTION	UNIT	QTY	RATE (KShs.)	AMOUNT (KShs.)
	<u>ELEMENT 07- BUILDING FINISHES.</u>				
	PLASTER AND EXTERNAL POINTING				
A	Provide all the necessary materials and plaster 12mm thick 1:1:4 to machine cut stone steel trowelled smooth with cement/lime 1:1 paste.	SM	81		
B	Provide all necessary materials and dress smoothly natural stone walling and point all the joints with neat recessed joints including 2 coats of bituminous paints to approval	SM	55		
	RENDER, SCREED, SKIRTING AND PAINTING				
	Provide all the necessary materials and construct the following				
C	12mm thick render 1:1:4 to machine cut stone walling finished with smooth steel trowel.	SM	2		
D	Hack concrete ring beam and plinth and 12mmthick render 1:1:4 finished smooth steel trowelled.	SM	8		
E	Form groove in wet render including making good	LM	0		
F	25mm thick screed 1:4 mix to floor to receive ceramic cement	SM	37		
G	100x25mm screed 1:4 mix skirting smooth to receive ceramic tiles	LM	32		
H	Prepare and apply 3 coats of plastic emulsion paint to plastered surface internally	SM	116		
	TOTAL CARRIED TO COLLECTION.				

PROPOSED CONSTRUCTION OF FOUR (4) DOOR PUBLIC

ITEM	DESCRIPTION	UNIT	QTY	RATE (KShs.)	AMOUNT (KShs.)
A	Prepare and apply 3 coats of plastic emulsion paint to plastered surface externally	SM	8		
B	Prepare and apply 2 coats of bituminous paint to rendered surfaces externally	SM	6		
C	Prepare and apply 2 undercoats and one finishing coat of gloss paint to metal internally and externally (measured over glass)	SM	4		
D	Prepare and apply 3 clear varnish to timber surface internally and externally.	SM	22		
E	Lay ceramic tiles and finish as appropriate	SM	48		
F	Skirtings; 100mm wide with rounded junction with wall finish and straight junction with floor finish	LM	32		
TOTAL CARRIED TO COLLECTION					
COLLECTION					
TOTAL FROM PAGE 13/2					
TOTAL FROM ABOVE					
TOTAL CARRIED TO SUMMARY					

PROPOSED CONSTRUCTION OF FOUR (4) DOOR PUBLIC

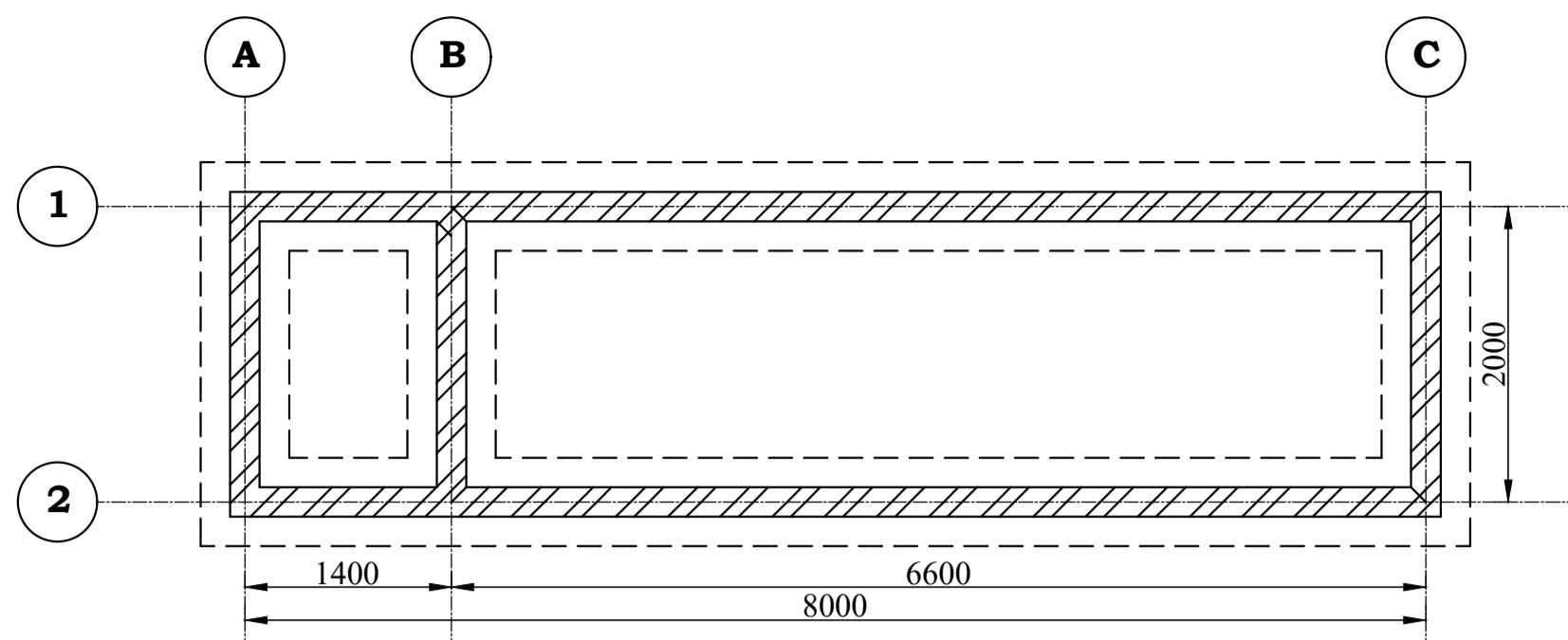
ITEM	DESCRIPTION	QTY	UNIT	RATE (KShs.)	AMOUNT (KShs.)
	<u>PLUMBING AND DRAINAGE</u> <u>(All provisional)</u> <u>Sanitary fittings</u> <u>The following in "Twyford's" or other equal</u> <u>and approved quality fittings:</u>				
A	WC complete with 9 litre water cistern, flush system, seat, cover and fitting	1	NO.		
B	Asian type WC as described above	4	NO.		
C	Approved quality urinal set of 3No. Bowls complete with automatic flushing system, connection pipes, all fittings and fixing	1	NO.		
D	Toilet roll holder	5	NO.		
E	WHB complete with trap, chain and plug	4	NO.		
	<u>Cold water storage tank</u>				
G	200 Litre water storage tank fixed on timber supports in roof space to Architect's detail including necessary connection	2	NO.		
	<u>Approved quality PP-R cold water pipes size:</u>				
J	25mm Diameter	10	LM		
K	20mm Dtto	15	LM		
L	15mm Ditto	20	LM		
	TOTAL CARRIED PLUMBING WORKS CARRIED TO SUMMARY				

PROPOSED CONSTRUCTION OF FOUR (4) DOOR PUBLIC

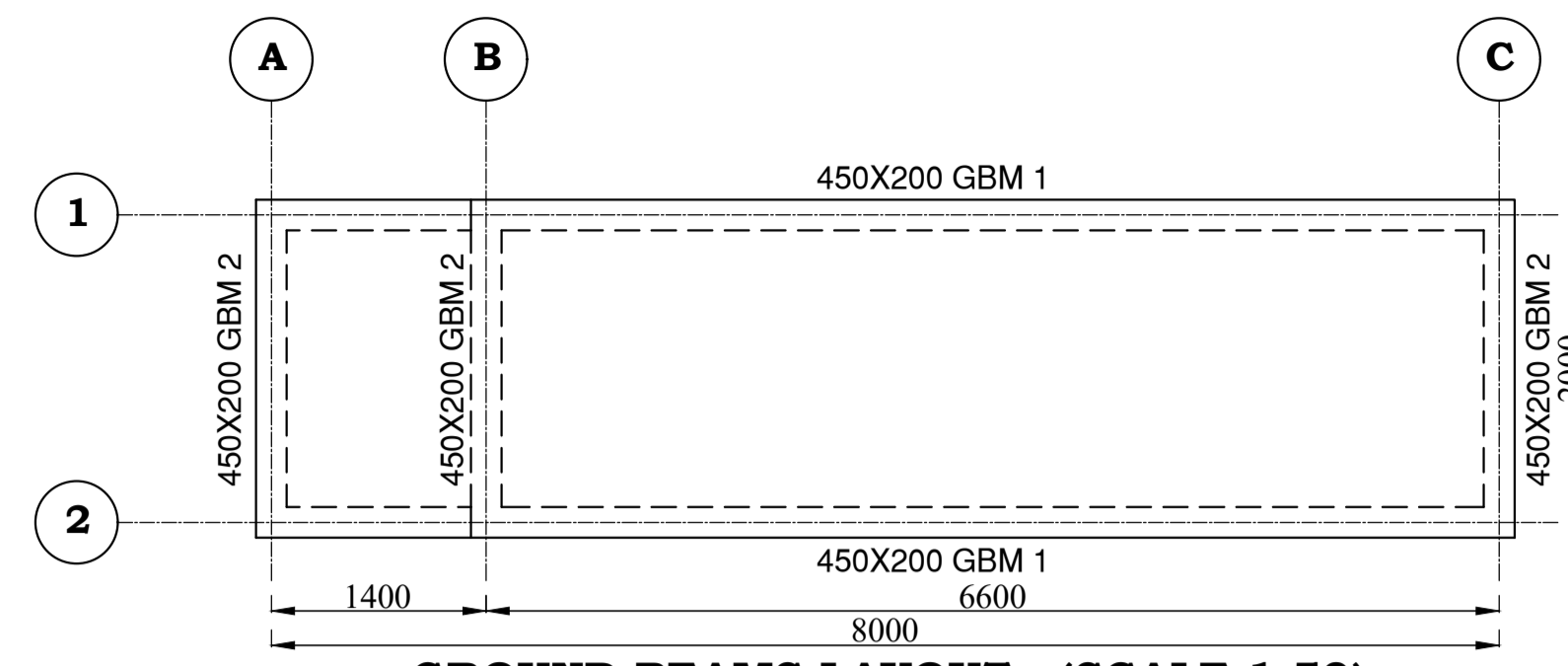
ITEM	DESCRIPTION	UNI T		AMOUNT (KShs.)
	<u>PRIME COST AND PROVISIONAL SUMS</u>			
	<u>PRIME COST SUMS</u>			
A	Allow a Prime Cost Sum of Kenya Shillings Fifty Thousand for Contingency			
B	Allow a Prime Cost Sum of Kenya Shillings One Hundred Thousand for Project Supervision.			
C	Allow a Prime Cost Sum of Kenya Shillings Thirty Thousand for Project Committee			
D	Allow a Prime Cost Sum of Kenya Shillings Ten Thousand for Sign board and branding the project according to CDF Specification			
E	Allow a Prime Cost Sum of Kenya Shillings Forty Thousand for Documentation			
	<u>TOTAL FOR PRIME COST AND PROVISIONAL SUMS CARRIED TO SUMMARY</u>			
	TOTAL CARRIED TO FORM OF TENDER			

PROPOSED CONSTRUCTION OF FOUR (4) DOOR PUBLIC

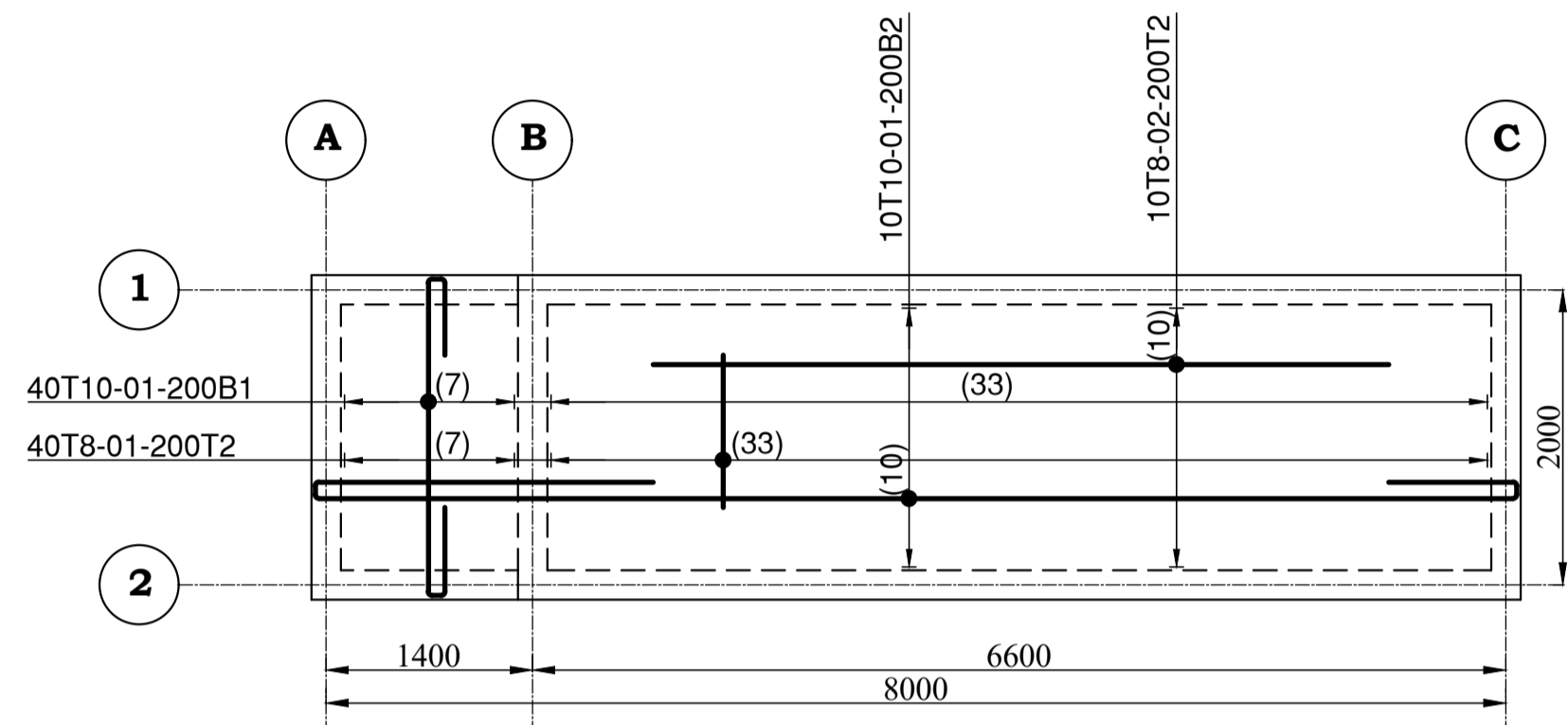
ITEM	DESCRIPTION	UNIT	QTY	RATE (KShs.)	AMOUNT (KShs.)
	SUMMARY				
A	ELEMENT 01 GENERAL.				
B	ELEMENT 02 SUB-STRUCTURE.				
C	ELEMENT 03 SUPERSTRUCTURE.				
D	ELEMENT 04 ROOFINGS.				
E	ELEMENT 05 OPENINGS.				
G	ELEMENT 07 BUILDING FINISHES.				
H	ADD PLUMBING WORKS				
I	PRIME COST & PROVISIONAL SUMS				
	Add VAT				
	Add 0.03% capacity building levy				
	TOTAL CARRIED TO FORM OF TENDER				



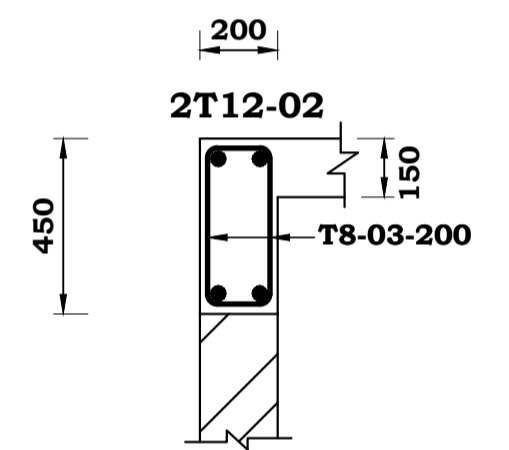
FOUNDATION LAYOUT - (SCALE 1:50)



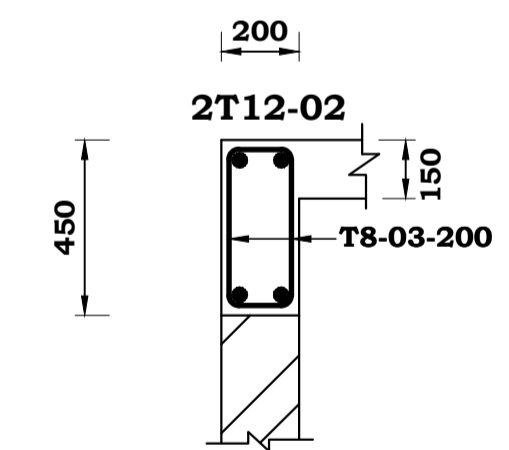
GROUND BEAMS LAYOUT - (SCALE 1:50)



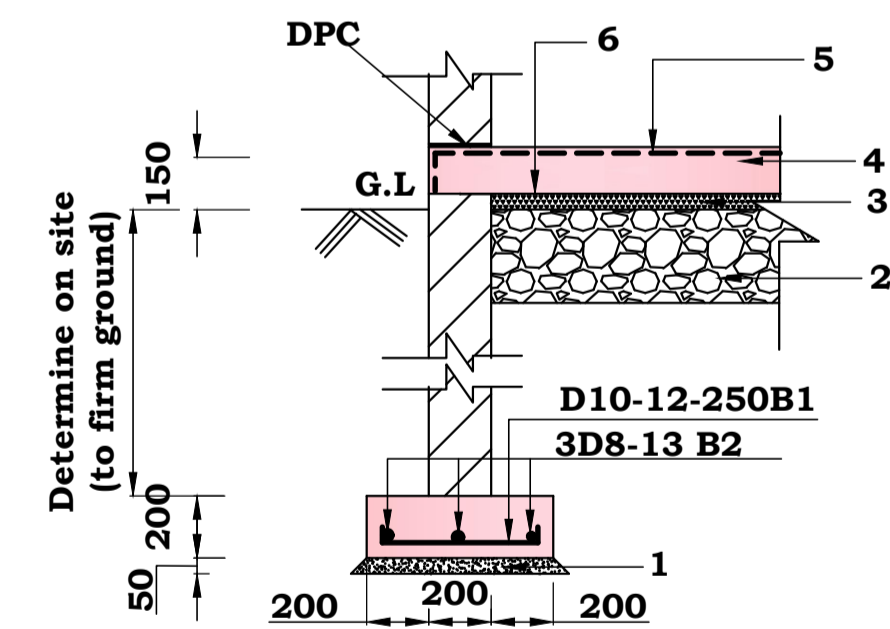
FLOOR SLAB REBARS LAYOUT - (SCALE 1:50)



**TYPICAL RBM SECTION
SCALE 1:10**



**TYPICAL GBM 1/2 SECTION
SCALE 1:10**



SECTION B-B (1:25)

**KEY TO FOUNDATION
SECTION DETAILS**

1. - Blinding concrete (1:4:8)
2. - 300mm Well Compacted Approved Hardcore (Compacted in layers of 150mm)
3. - 50mm Murrum Blinding
4. - 150mm Thick Slab
5. - A142 BRC Mesh
6. - 500mm Gauge Damp Proof Membrane (DPM)

NOTES

1. This drawing is to be read in conjunction with all other relevant Architectural / Structural drawings.
2. The Contractor to confirm all dimensions on site before commencing any works.
3. Figured dimensions only to be taken and all dimensions are in millimetres unless stated otherwise.
4. Structural Concrete to be class 20/20 concrete cover to reinforcement including links;
Beams = 25mm Foundation = 50mm
Slabs = 20mm Columns = 40mm
5. Reinforcement steel to be ;
Y- square twisted high yield bars to BS 4461.
R-round mild bars to BS 4449.
6. All structural works must be inspected and approved by the Structural Engineer.
7. Safe Ground Bearing Pressure GBP=180kN/m²

ISSUES

DATE	TO	APPLICATION

REVISIONS

DATE	BY	DESCRIPTIONS	GRP. LDR.	C.S. ENG.

REFERENCE DRAWINGS

No.	DESCRIPTIONS

CLIENT
NGCDF - KISUMU EAST
P.O BOX KISUMU

JOB No.

PROJECT TITLE
PROPOSED MODERN PIT LATRINE AT
IN KISUMU EAST CONSTITUENCY

DRAWING TITLE
PIT LATRINE STRUCTURAL DETAILS

C1/Sfb		
M.O.L.PW.H & U.D	DRG No. FILE No.	SD/CWOKSM/NGCDF/KE/STR 01
SCALE(S)	1:50, 1:25	FIGURED DIMENSIONS ONLY TO BE TAKEN FROM THIS DRAWING

APPROVED BY

NAME	SIGNATURE	DATE
DESIGN/DRAWN	Eng. M.S. WANYONYI	
CHECKED	Eng. M.S. WANYONYI	

